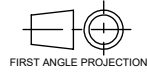


TITLE: **Yamaha XJR Top Clamp**



IF IN DOUBT ASK

PROPRIETARY AND CONFIDENTIAL
 THE INFORMATION CONTAINED IN THIS DRAWING IS THE SOLE PROPERTY OF OBERON PERFORMANCE LIMITED.
 ANY REPRODUCTION IN PART OR AS A WHOLE WITHOUT THE WRITTEN PERMISSION OF OBERON PERFORMANCE LIMITED IS PROHIBITED.

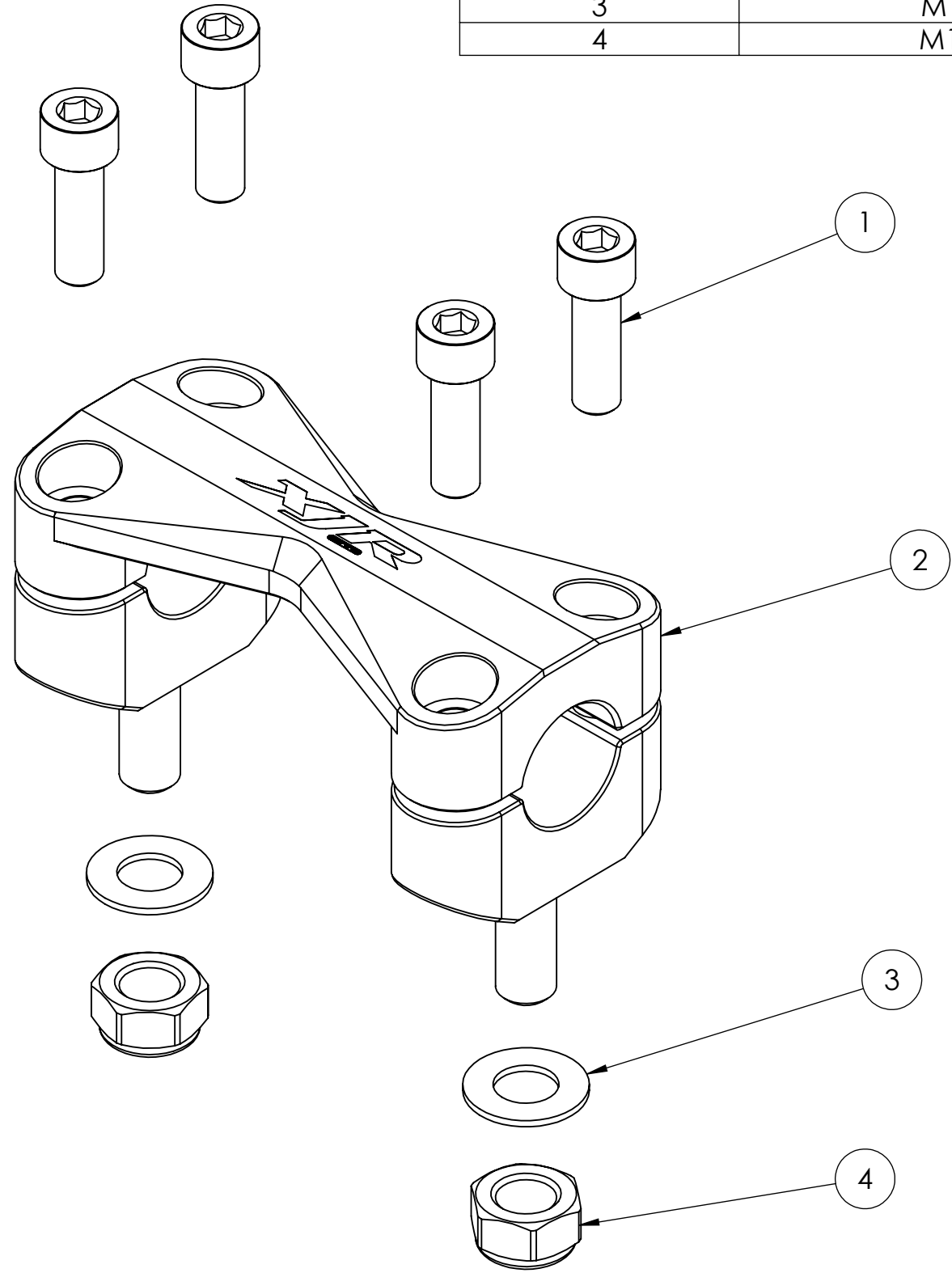


11 Havant Business Centre
 Harts Farm Way
 Havant
 Hampshire
 PO91 HU
 UK

Tel: +44 02392 481 188
 Fax: +44 02392 492 458
 admin@oberon-performance.co.uk
 Web: oberon-performance.co.uk

© Oberon Performance Limited

ITEM NO.	DESCRIPTION	QUANTITY
1	M8 Fasteners	4
2	Machined Parts	3
3	M10 Washers	2
4	M10 Loc Nuts	2



REVISIONS		
REV	DESCRIPTION	DATE

DO NOT SCALE DRAWING		REVISION	
NAME	SIGNATURE	DATE	
DRAWN			
CHK'D			
APPV'D			
MFG			
Q.A			

UNLESS OTHERWISE SPECIFIED:
 DIMENSIONS ARE IN MILLIMETERS
 TOLERANCES:
 LINEAR: +/- 0.10
 ANGULAR: +/- 0.5°

DEBURR AND
 BREAK SHARP
 EDGES

FINISH:

WEIGHT:

MATERIAL:

TITLE:
**Yamaha XJR
 Top Clamp**

DWG NO.
whats_in_the_box_HTC-0005