

8

7

6

5

4

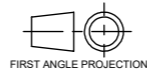
3

2

1

TITLE:

M10 Single Banjo Bolt



FIRST ANGLE PROJECTION

IF IN DOUBT ASK

PROPRIETARY AND CONFIDENTIAL
THE INFORMATION CONTAINED IN THIS DRAWING IS THE SOLE PROPERTY OF OBERON PERFORMANCE LIMITED.
ANY REPRODUCTION IN PART OR AS A WHOLE WITHOUT THE WRITTEN PERMISSION OF OBERON PERFORMANCE LIMITED IS PROHIBITED.

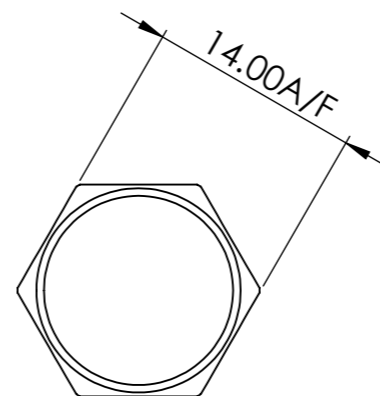
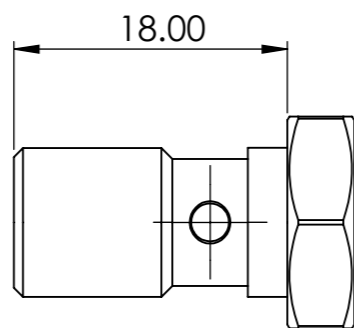
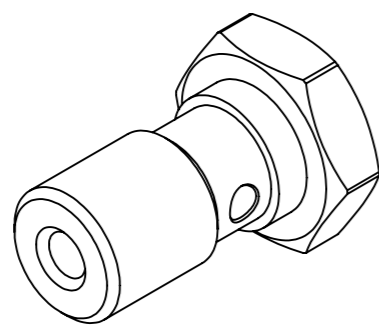


11 Havant Business Centre Tel: +44 02392 481 188
Harts Farm Way Fax: +44 02392 492 458
Havant admin@oberon-performance.co.uk
Hampshire Web: oberon-performance.co.uk
PO91 HU
UK © Oberon Performance Limited

ITEM No.	SKU	DESCRIPTION	QTY
1	FAST-BAN-0100	M10 x 1	1
2	FAST-BAN-0125	M10 x 1.25	1

REVISIONS

REV	DESCRIPTION	DATE



DO NOT SCALE DRAWING REVISION

	NAME	SIGNATURE	DATE
DRAWN			
CHK'D			
APPV'D			
MFG			
Q.A			

UNLESS OTHERWISE SPECIFIED:
DIMENSIONS ARE IN MILLIMETERS
TOLERANCES:
LINEAR: +/- 0.10
ANGULAR: +/- 0.5°

DEBURR AND
BREAK SHARP
EDGES

FINISH:

WEIGHT: MATERIAL:

TITLE:
M10 Single Banjo Bolt

DWG NO.

8

7

6

5

4

3

2

1

F

F

E

E

D

D

C

C

B

B

A

A