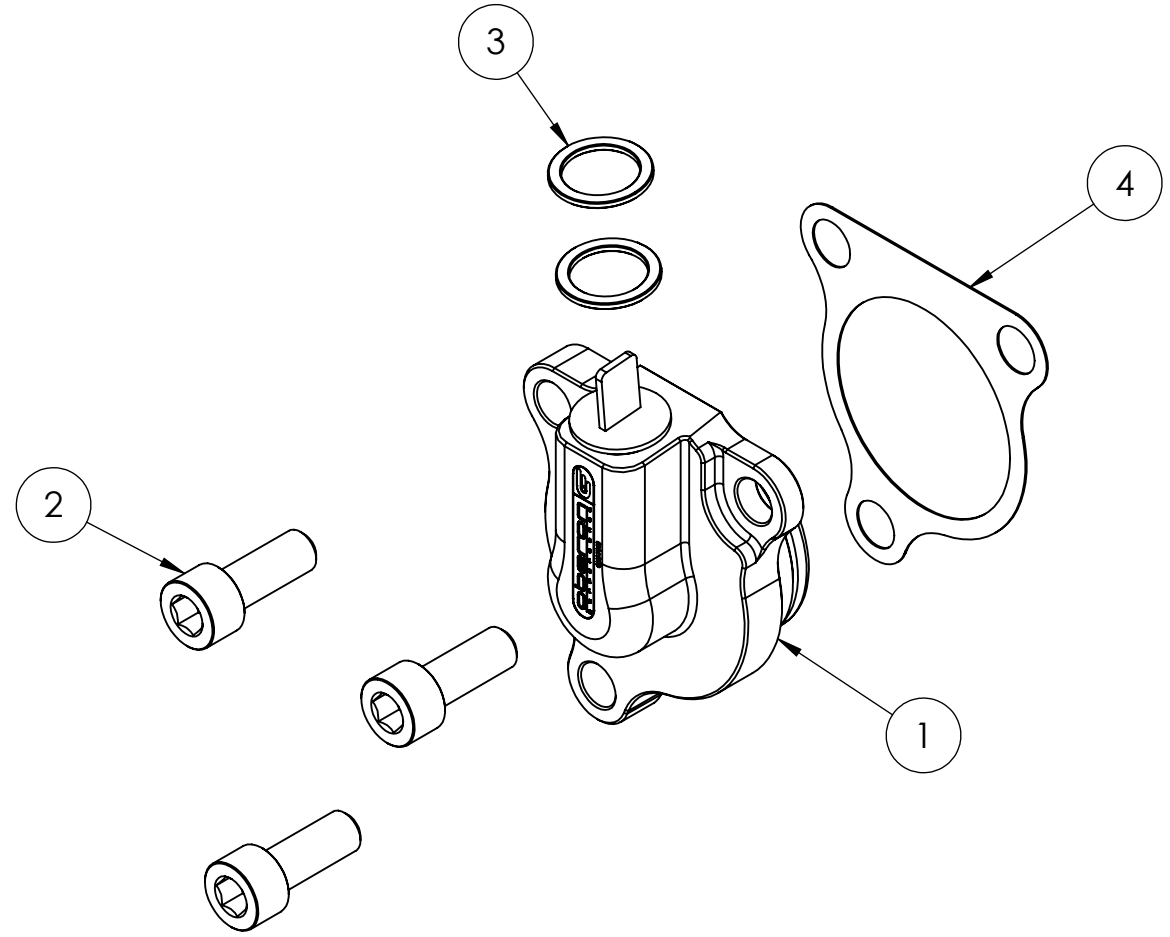



8 7 6 5 4 3 2 1

ITEM NO.	DESCRIPTION	QTY
1	Fully assembled clutch slave unit	1
2	M6 x 16mm	3
3	Sealing washer	2
4	Paper Gasket	1

F  
E  
D  
C  
B  
A



DO NOT SCALE DRAWING		REVISION:
		
TITLE:		
<b>Whats in the box.</b>		
DWG NO:		A4
<b>CLU-7048</b>		
SCALE:		

**PROPRIETARY AND CONFIDENTIAL**

THE INFORMATION CONTAINED IN THIS DRAWING IS THE SOLE PROPERTY OF OBERON PERFORMANCE LTD. ANY REPRODUCTION IN PART OR AS A WHOLE WITHOUT THE WRITTEN PERMISSION OF OBERON PERFORMANCE LTD IS PROHIBITED.

8 7 6 5 4 3 2 1